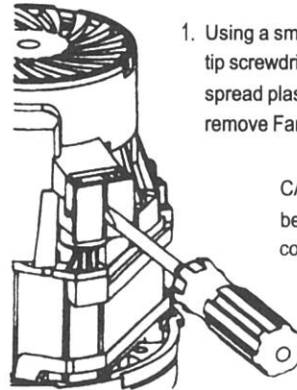


411 Century Court
Piney Flats, Tn
Phone(423) 538-5303
Fax(423) 538-4198

CARBON BRUSH REPLACEMENT INSTRUCTION SHEET

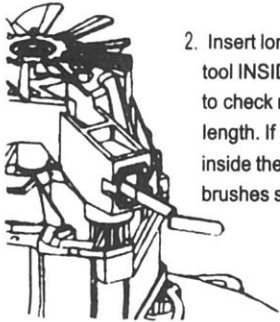
REMOVING CARBON BRUSHES

Note: If your motor does not have a cooling fan and shroud, Please skip to step 2

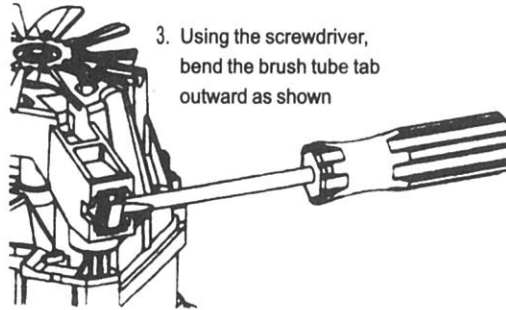


1. Using a small flat tip screwdriver, CAREFULLY spread plastic tabs and remove Fan Shroud.

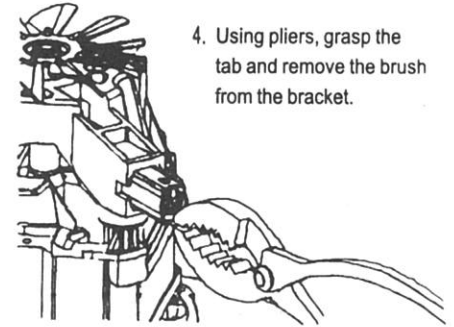
CAUTION: Special care must be taken to ensure that the cooling fan is not disturbed.



2. Insert long end of insertion tool INSIDE the spring to check remaining brush length. If scribe line goes inside the brush tube, the brushes should be replaced..

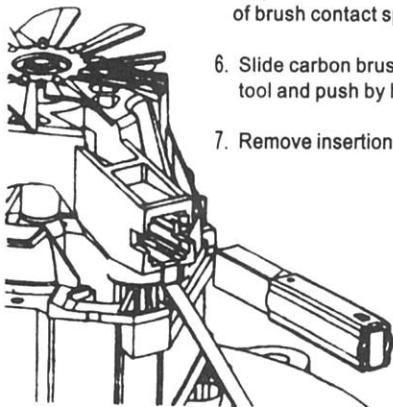


3. Using the screwdriver, bend the brush tube tab outward as shown

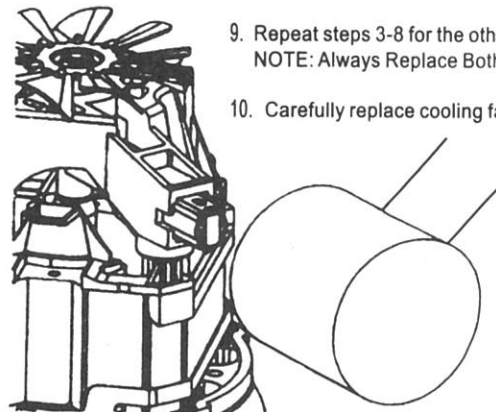


4. Using pliers, grasp the tab and remove the brush from the bracket.

INSTALLING CARBON BRUSHES



5. Lay installation tool into slot on top of brush contact spring.
6. Slide carbon brush over top of installation tool and push by hand, into front bracket.
7. Remove insertion tool.



8. Using a rawhide mallet, gently tap carbon brush flush with bracket.
9. Repeat steps 3-8 for the other carbon brush. NOTE: Always Replace Both Brushes.
10. Carefully replace cooling fan shroud